

MODEL V-1565 /V-1560
V-695

SERVICE MANUAL

OSCILLOSCOPE

GENERAL

This service manual is for the New Basic Oscilloscopes, and does not include the description contained in service manual for the old models.

The New Basic Oscilloscopes are quite the same in the functions and performance as the respective old models except for the cosmetic change. This service manual contains only the mechanical parts list and exploded view. Therefore, use the service manual for the old models with this manual.

The relationship between the New Basic Oscilloscopes and the old models are listed below.

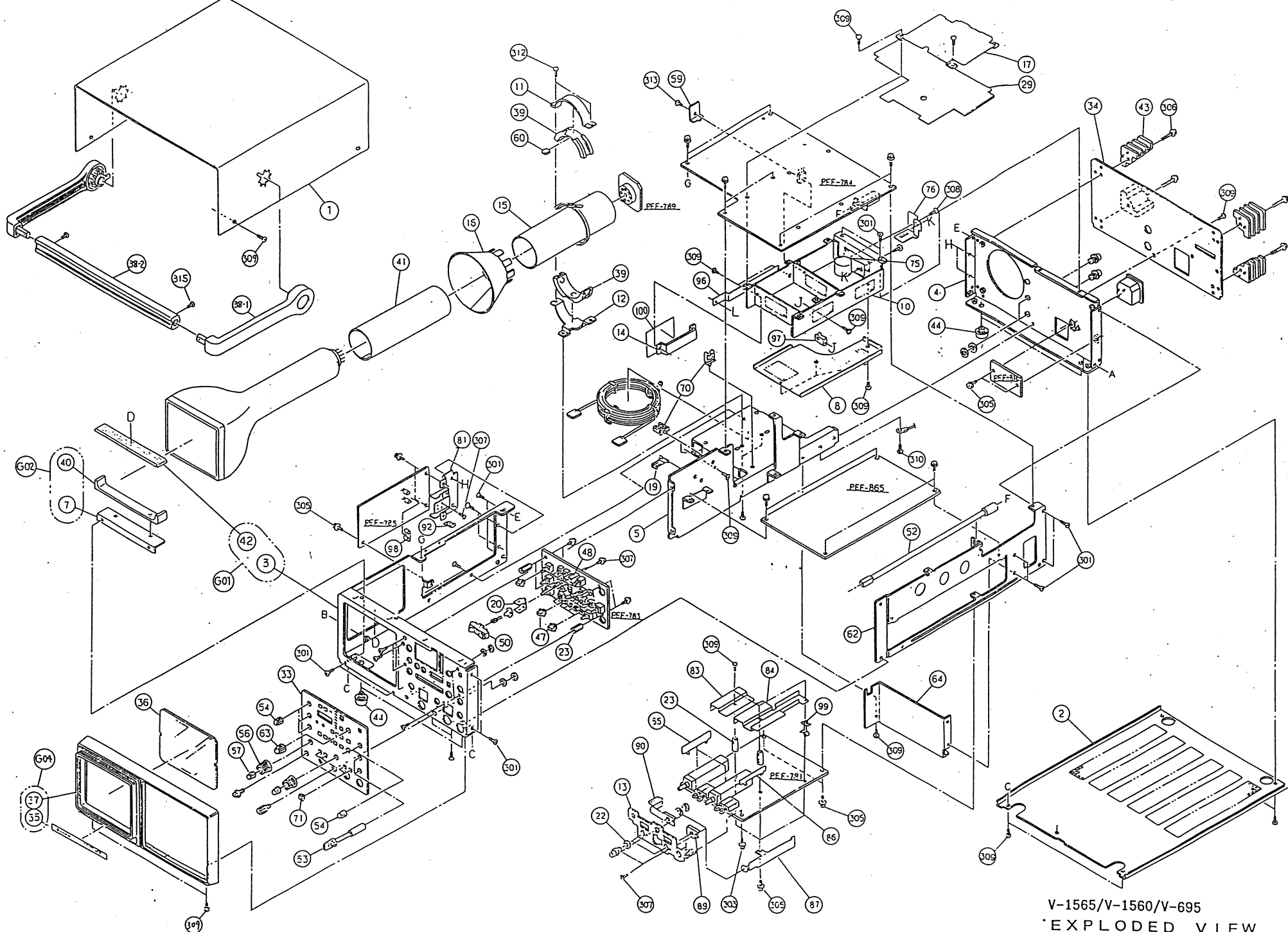
New Basic MODEL	Old models	
	MODEL	Service manual
V-252	V-212	MGA0806 (FNo.5029)
V-552	V-522	MGA1457 (FNo.6620)
V-555	V-525	
V-1585	V-1085	MGA1496 (FNo.6745)
V-1565	V-1065A	MGA1763 (FNo.7334)
V-1560	V-1060	
V-695	V-665A	
VC-6523	VC-6023	MGA1662 (FNo.6993)
VC-6524	VC-6024	
VC-6525	VC-6025A	MGA1833/1504 (FNo.7377/6673)
VC-6545	VC-6045A	

MECHANICAL PARTS LIST AND EXPLODED VIEW

Symbol	Part Code	Description	Q'ty		
			V-1565	V-1560	V-695
G01	8508784C	CHASSIS(F) ASSY	1	1	1
3	2120502AA	CHASSIS(F)			
42	8411928E	CUSHION			
G02	8508785B	BRACKET(CRT) ASSY	1	1	1
7	8469150A	BRACKET(CRT)			
40	8395443B	CUSHION			
G03	8508783A	BRACKET(HIC) ASSY	1	1	1
14	8472571A	BRACKET(HIC)			
100	8505126A	INSULATOR			
G04	8603022C	FRAME ASSY	1		
37	124512D	FRAME			
35	8577334D	NAMEPLATE			
G04	8603022D	FRAME ASSY		1	
37	124512D	FRAME			
35	8577334A	NAMEPLATE			
G04	8603022E	FRAME ASSY			1
37	124512D	FRAME			
35	8577334E	NAMEPLATE			
1	3262470A	COVER(TOP)	1	1	1
2	3262471A	COVER(BOTTOM)	1	1	1
2	3262471B	COVER(BOTTOM) FOR (C)TYPE ONLY	1	1	1
4	2119570AA	CHASSIS(R)	1	1	1
5	2119571AA	CHASSIS(C)	1	1	1
8	8483085A	COVER(HV)			1
8	8581249A	COVER(HV)	1	1	
10	3212569AA	CASE(HV)	1	1	1
11	8438037A	CRT BAND 1	1	1	1
12	8448099A	CRT BAND 2	1	1	1
13	3209528A	BRACKET	1	1	1
15	8316268D	BAND(CRT SHIELD)			1
15	8316268C	BAND(CRT SHIELD)	1	1	
16	8474963A	CASE(CRT SHIELD)	1	1	1
17	8481953B	CASE(SHIELD)	1	1	1
19	8474935A	PLATE(EARTH)	1	1	1
20	8474942A	BRACKET	1	1	1
22	8398477A	SPACER(BNC)	3	3	3
23	8474929A	SPACER	6	6	6
29	2131507B	INSULATOR	1	1	1

MECHANICAL PARTS LIST AND EXPLODED VIEW

Symbol	Part Code	Description	Q'ty		
			V-1565	V-1560	V-695
33	3262618A	PANEL(FRONT)	1		
33	3262475A	PANEL(FRONT)		1	
33	3262618B	PANEL(FRONT)			1
34	3209561E	PANEL(REAR)	1		
34	3209561F	PANEL(REAR)		1	
34	3209561C	PANEL(REAR)			1
36	8489075A	FILTER	1	1	1
38-1	2140329AA	HANDLE	2	2	2
38-2	3259954C	GRIP	1	1	1
39	3144055B	CUSHION	2	2	2
41	8396867D	RUBBER SHEET			1
41	8396867C	RUBBER SHEET	1	1	
43	3149317C	FOOT(REAR)	4	4	4
44	3022087A	FOOT(BOTTOM)	4	4	4
47	8473487A	BUTTON	12	11	12
48	8474945A	HOLDER(LED)	1	1	1
50	3211025AA	KNOB(TIME)	1	1	1
52	8533855AA	KNOB(POWER)	1	1	1
53	8473750AA	KNOB(L)	2	2	2
54	3149324H	KNOB(S18B)	5	5	5
56	3196622F	KNOB(ATS)	2	2	2
57	3149324J	KNOB(S18B)	2	2	2
59	8456381C	BRACKET(IC)	1	1	1
60	8446132A	PLATE(EARTH)	1	1	1
62	2121662AA	CHASSIS(L)	1	1	1
63	3196650D	KNOB(M)	1	1	1
64	8480105A	PLATE(FBT SHIELD)	1	1	1
70	8383455B	WIRE SADDLE	2	2	2
71	8446145B	GUIDE(KNOB)	4	4	4
75	8487187A	SHORT RING			1
75	8581250A	SHORT RING	1	1	
76	8487185A	HEAT SINK			1
81	8480112A	HEAT SINK(V-OUT)			1
81	8484995AA	HEAT SINK(V-OUT)	1	1	
83	8485001A	PLATE(V-PRE SHIELD 1)	1	1	1
84	8485015A	PLATE(V-PRE SHIELD 2)	1	1	1
85	8485003A	PLATE(V-PRE EARTH 1)	2	2	2
86	8485004A	PLATE(V-PRE EARTH 2)	1	1	1
87	8485005A	PLATE(V-PRE EARTH 3)	2	2	2



V-1565/V-1560/V-695
 EXPLODED VIEW